

no concrete or drawings  
2.NBT.7  
2.NBT.8  
2.NBT.1

2.OA.4  
2.OA.3

no two-step and harder  
2.OA.1

2.G.2  
1.G.2  
2.MD.1

2.MD.2  
2.G.3

2.MD.6



no concrete openings

3.A

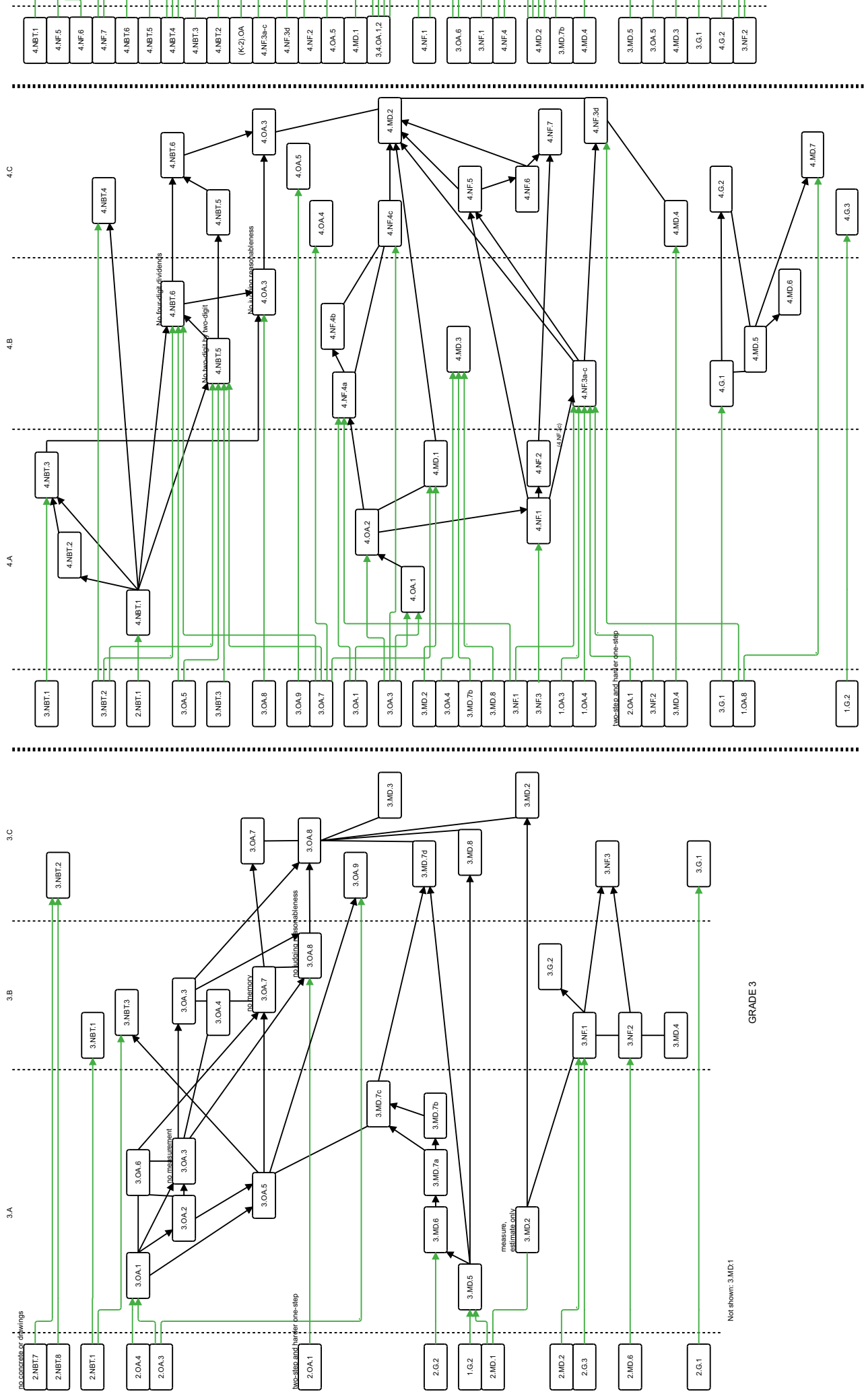
3.B

3.C

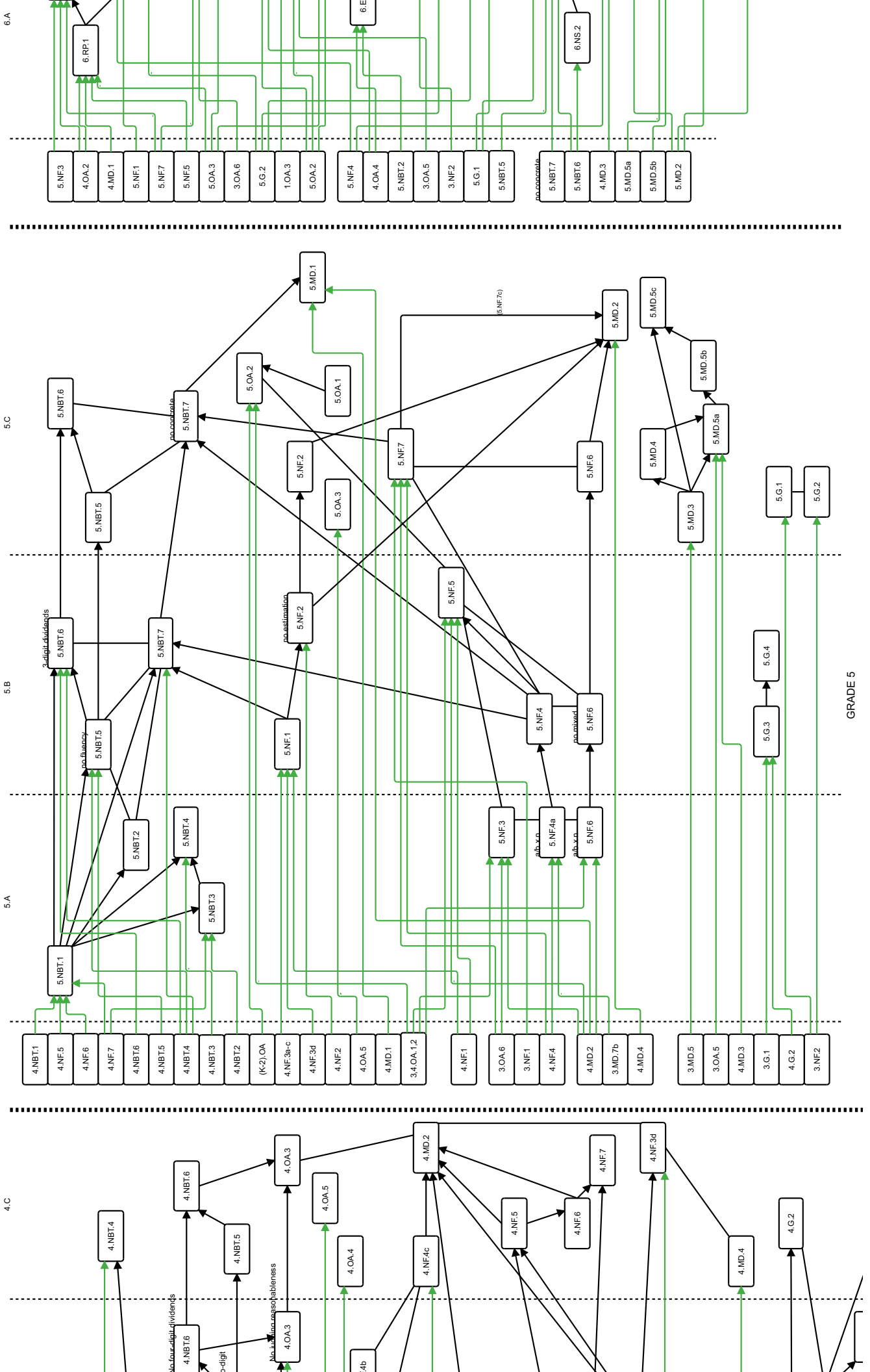
4.A

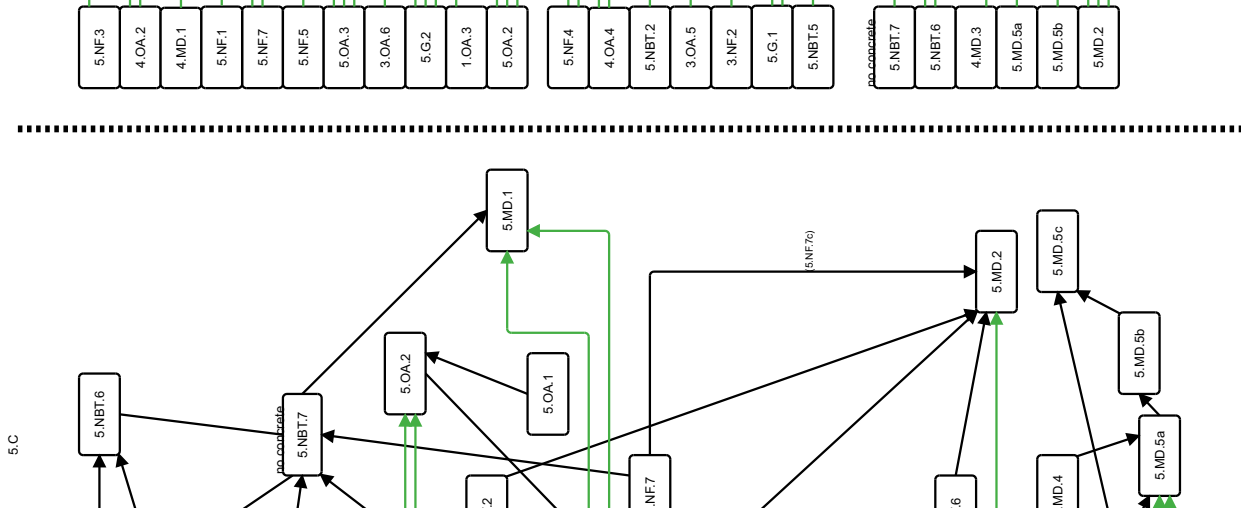
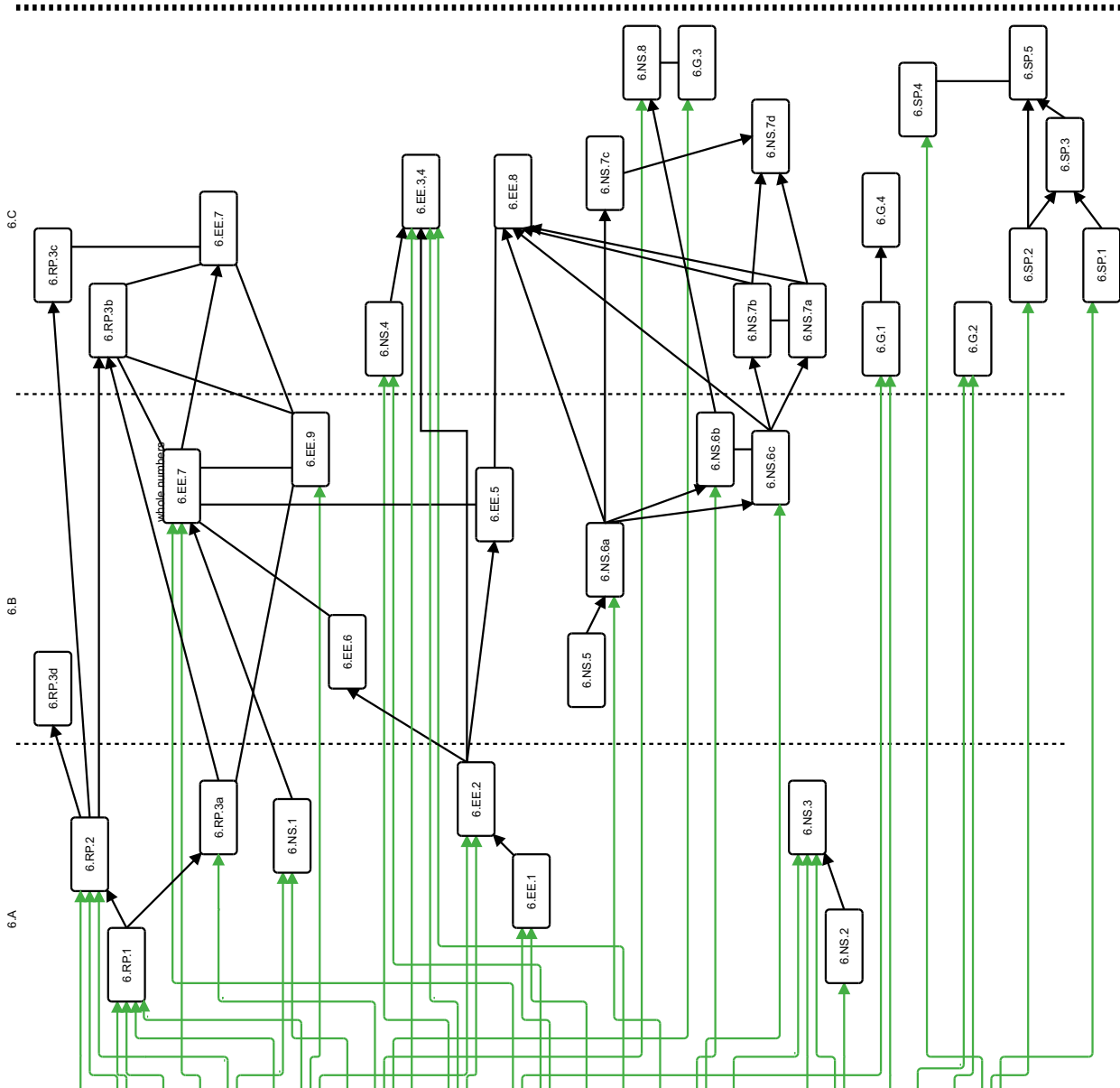
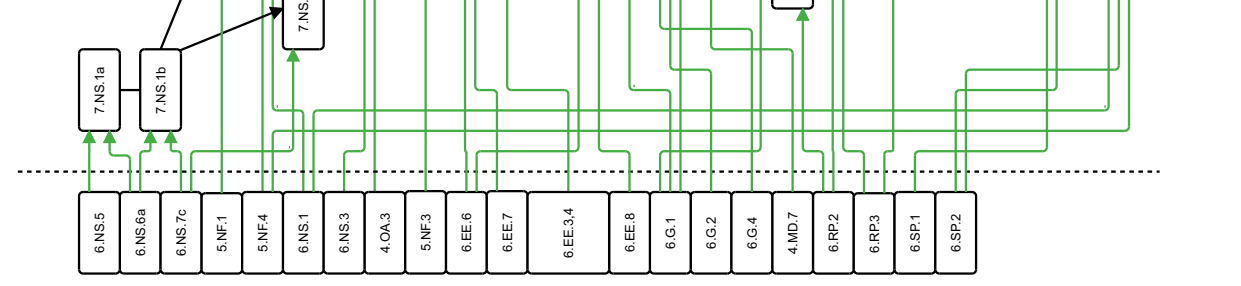
4.B

4.C

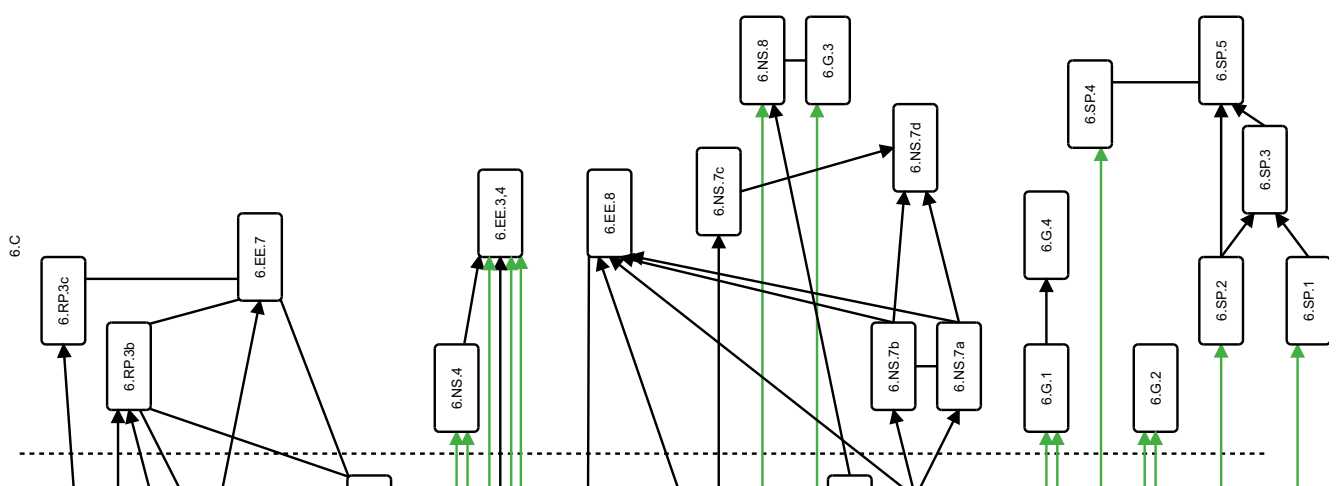


Not shown: 3.MD.1

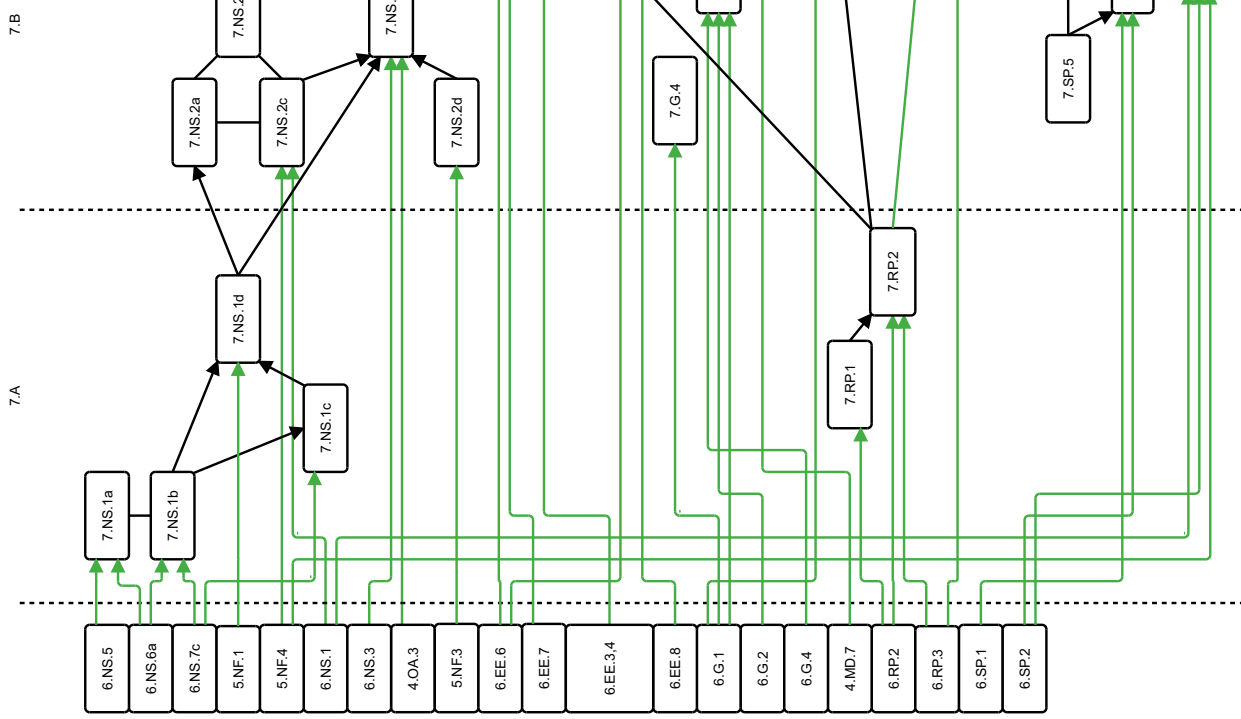




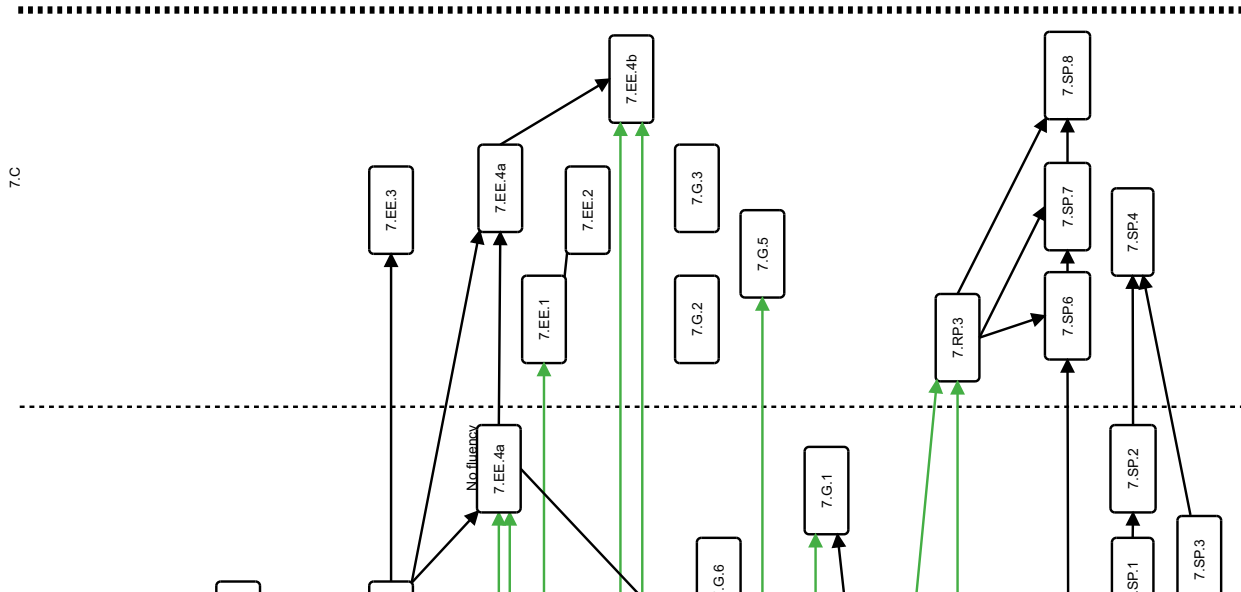
6.C



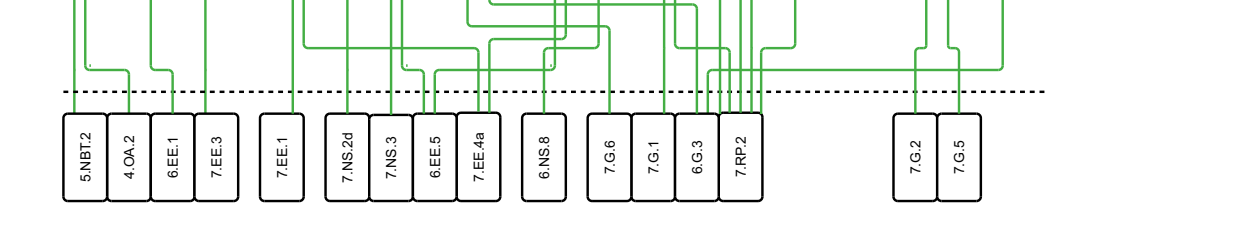
7.A



7.B

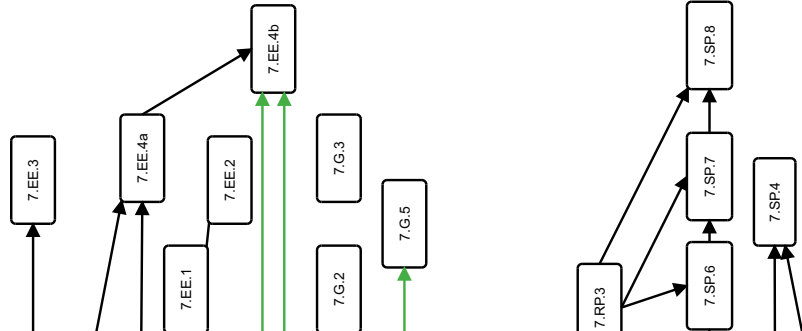


7.C

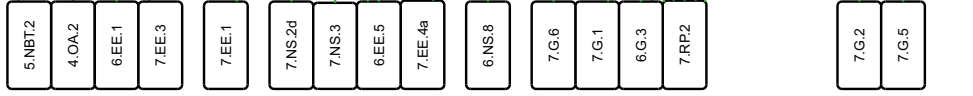


GRADE 7

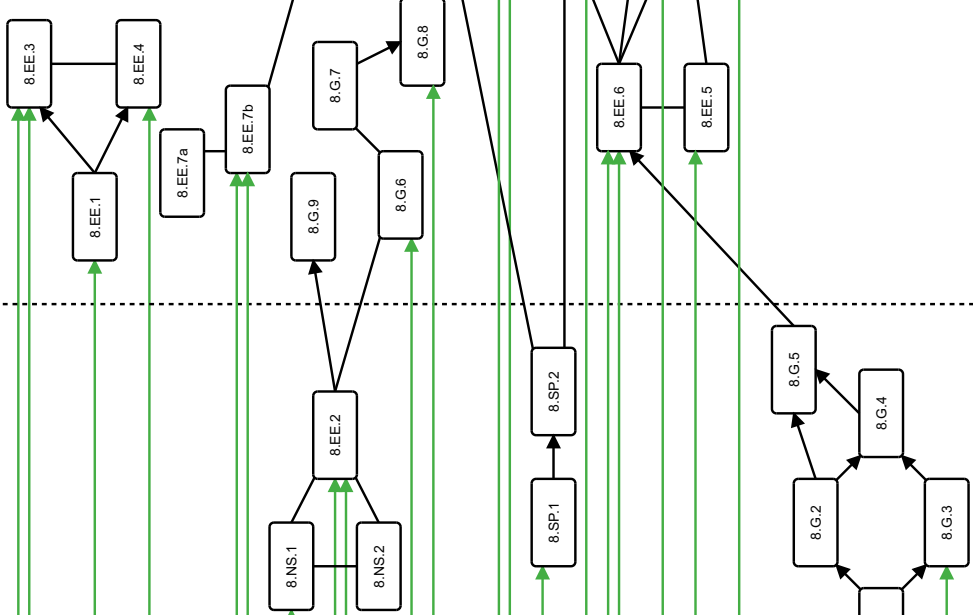
7.C



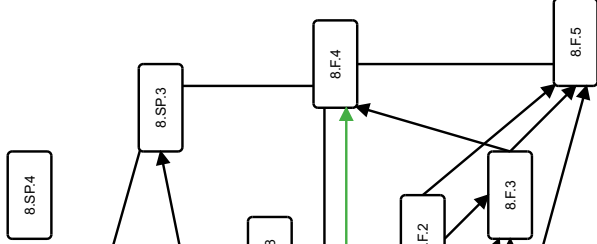
8.A



8.B



8.C



GRADE 8