

no concrete or drawings
2.NBT.7
2.NBT.8
2.NBT.1

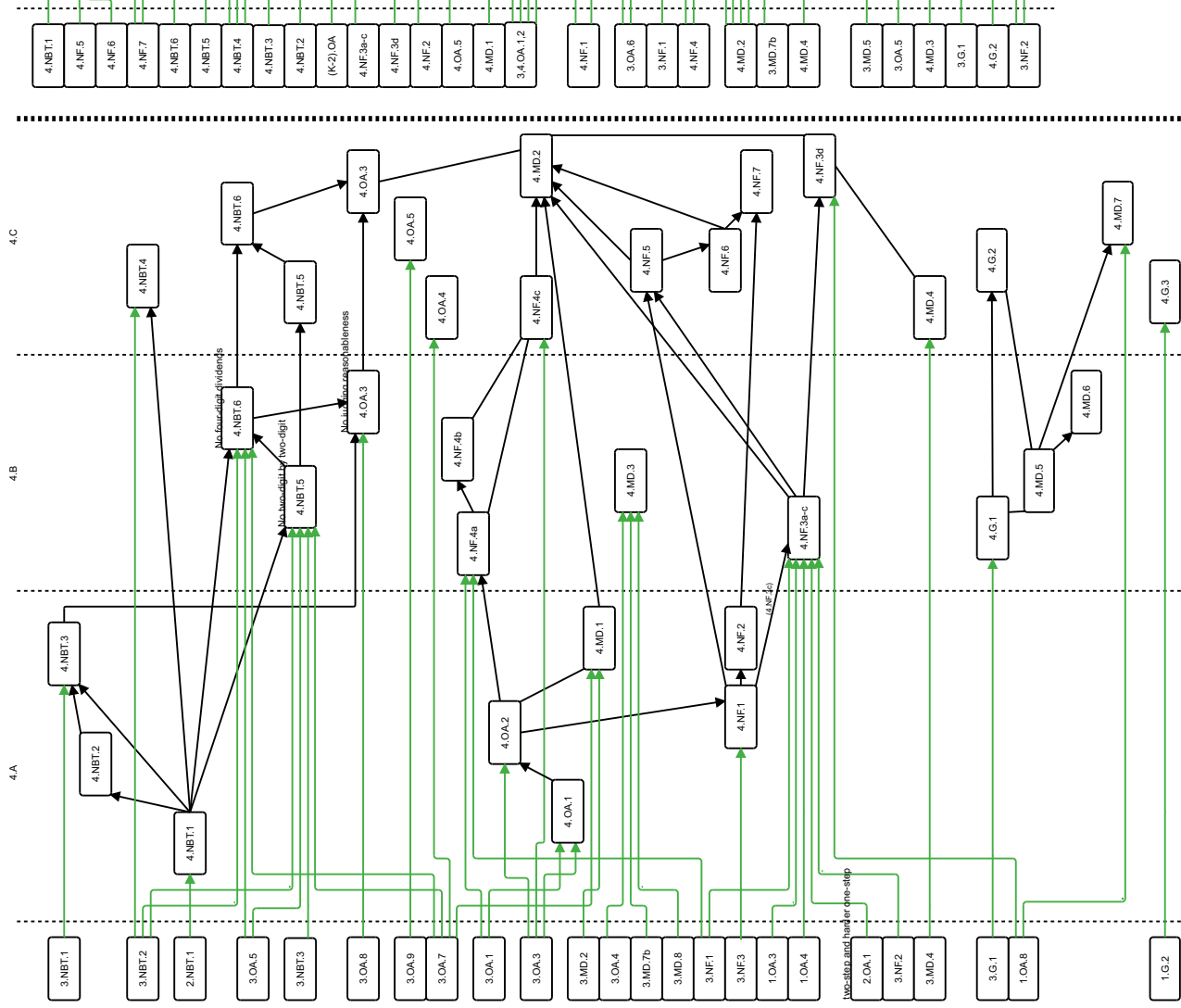
2.OA.4
2.OA.3

two-step and harder
2.OA.1

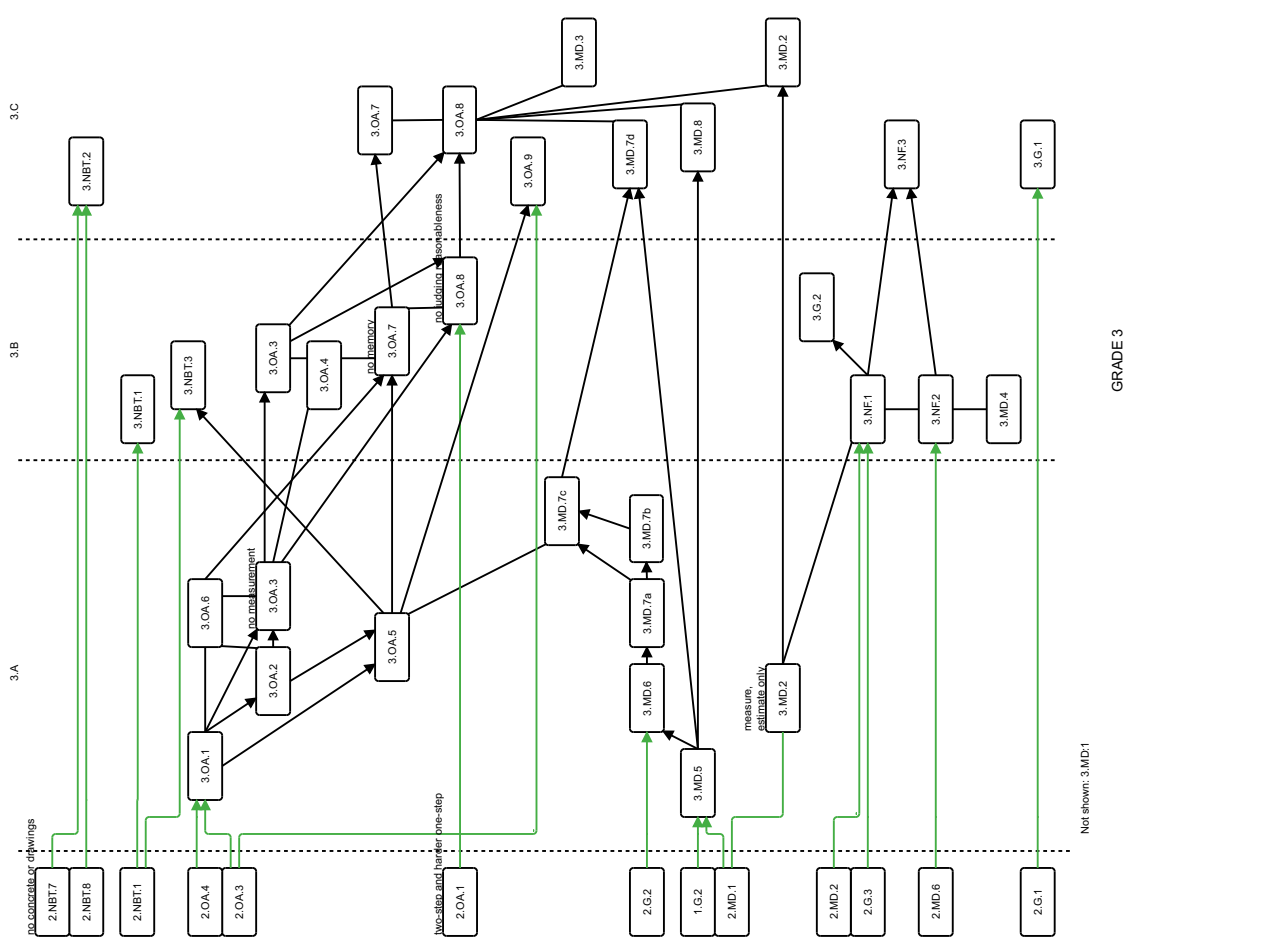
2.G.2
1.G.2
2.MD.1

2.MD.2
2.G.3

2.MD.6

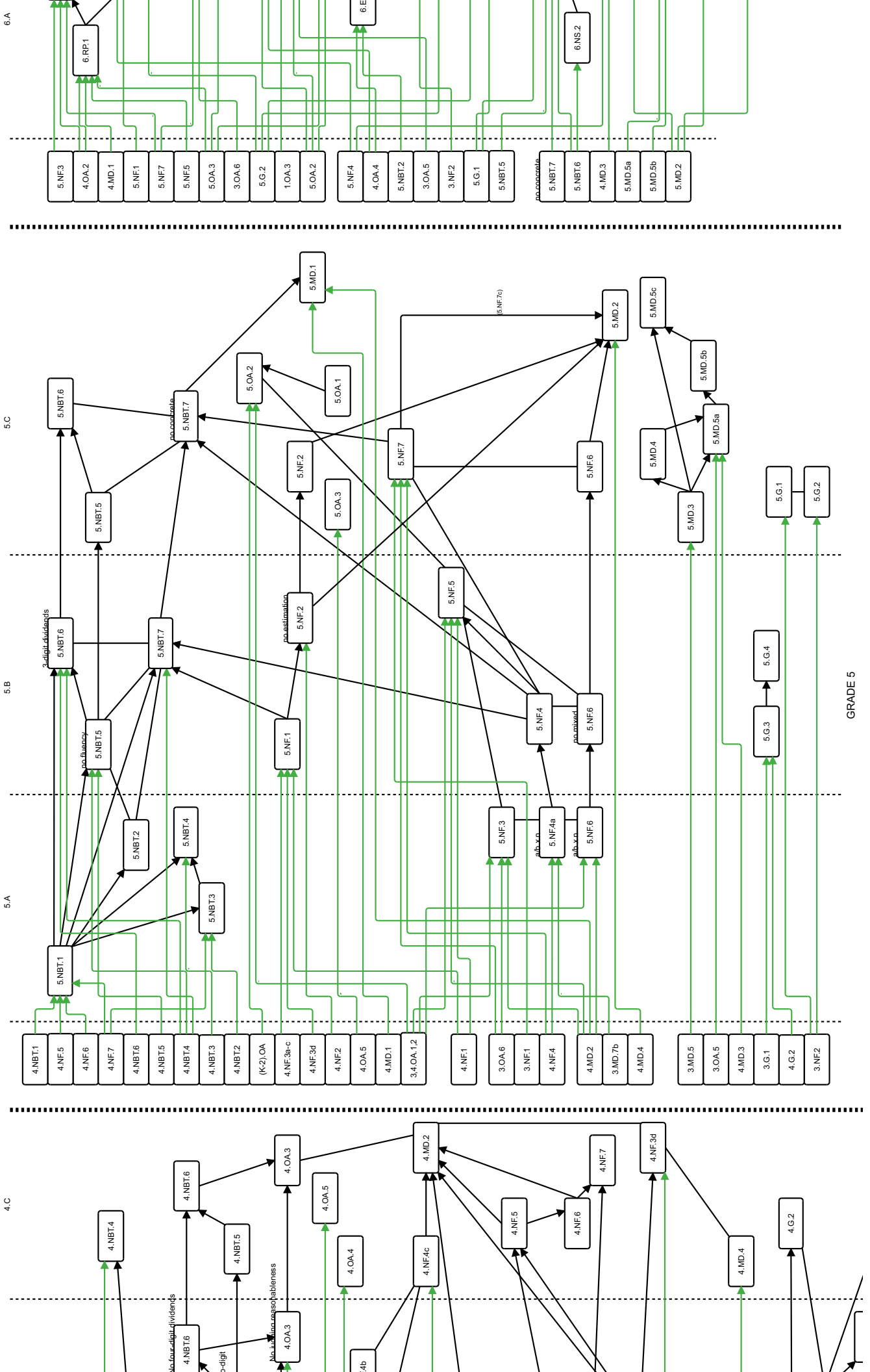


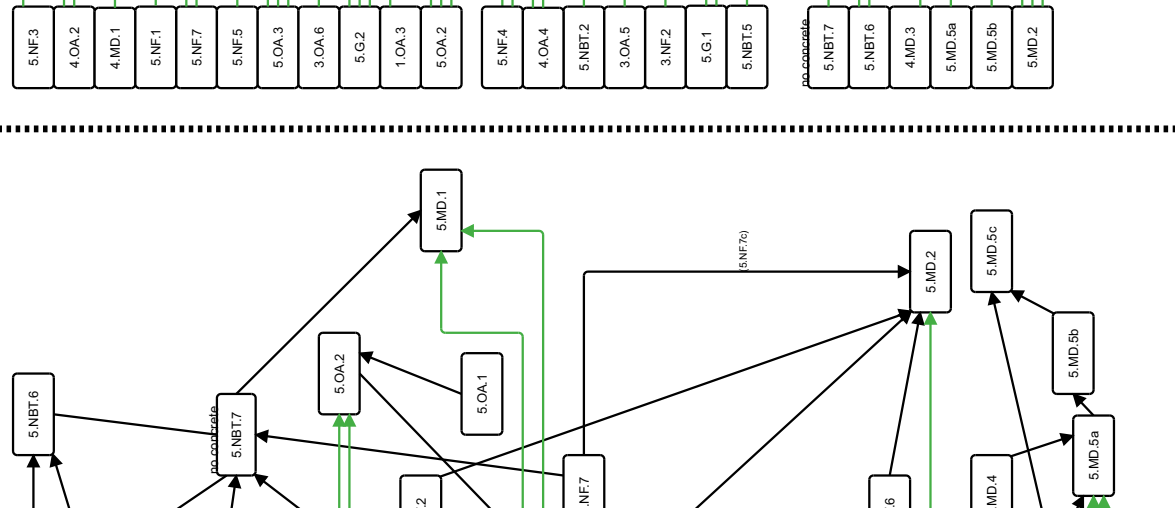
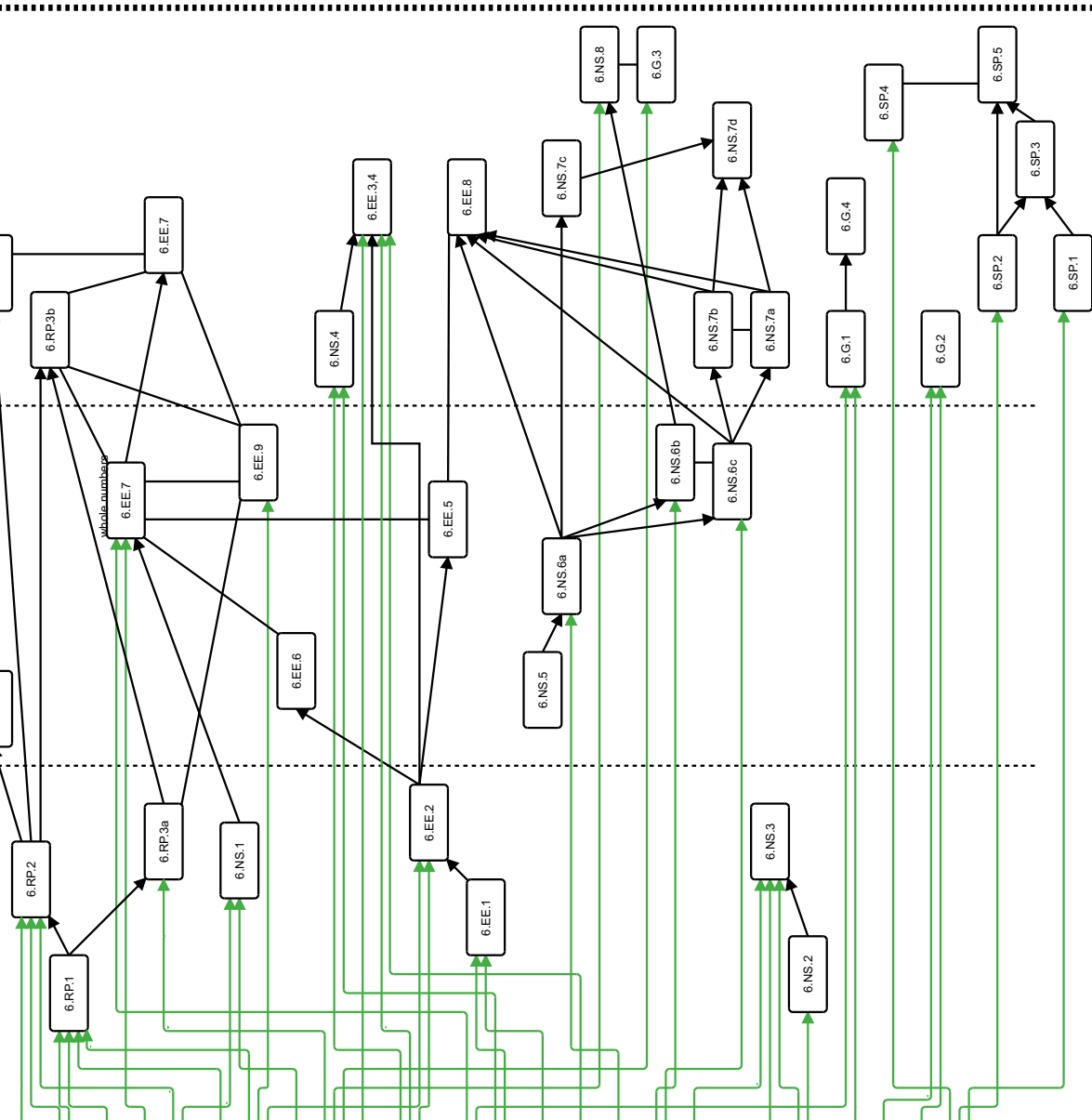
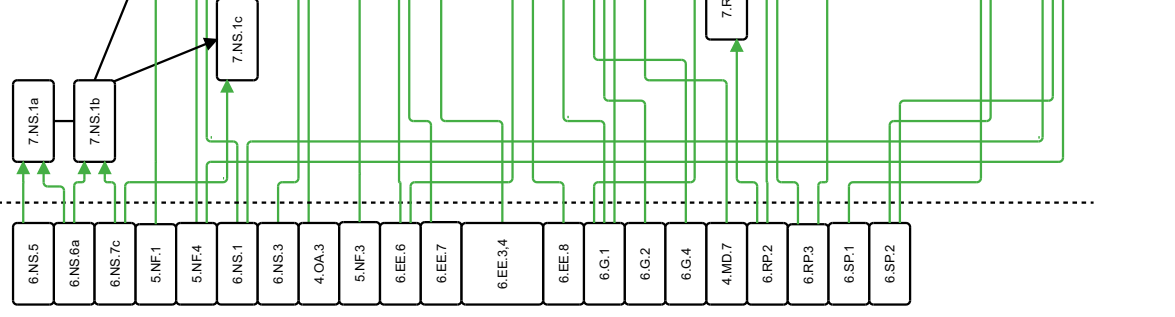
GRADE 4



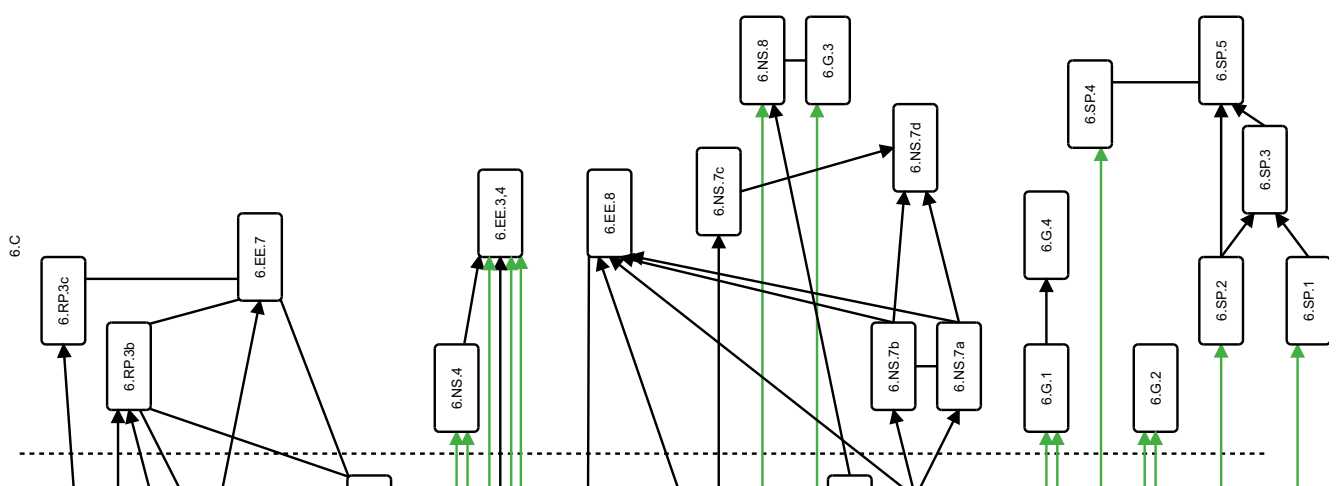
GRADE 3

Not shown: 3.MD.1





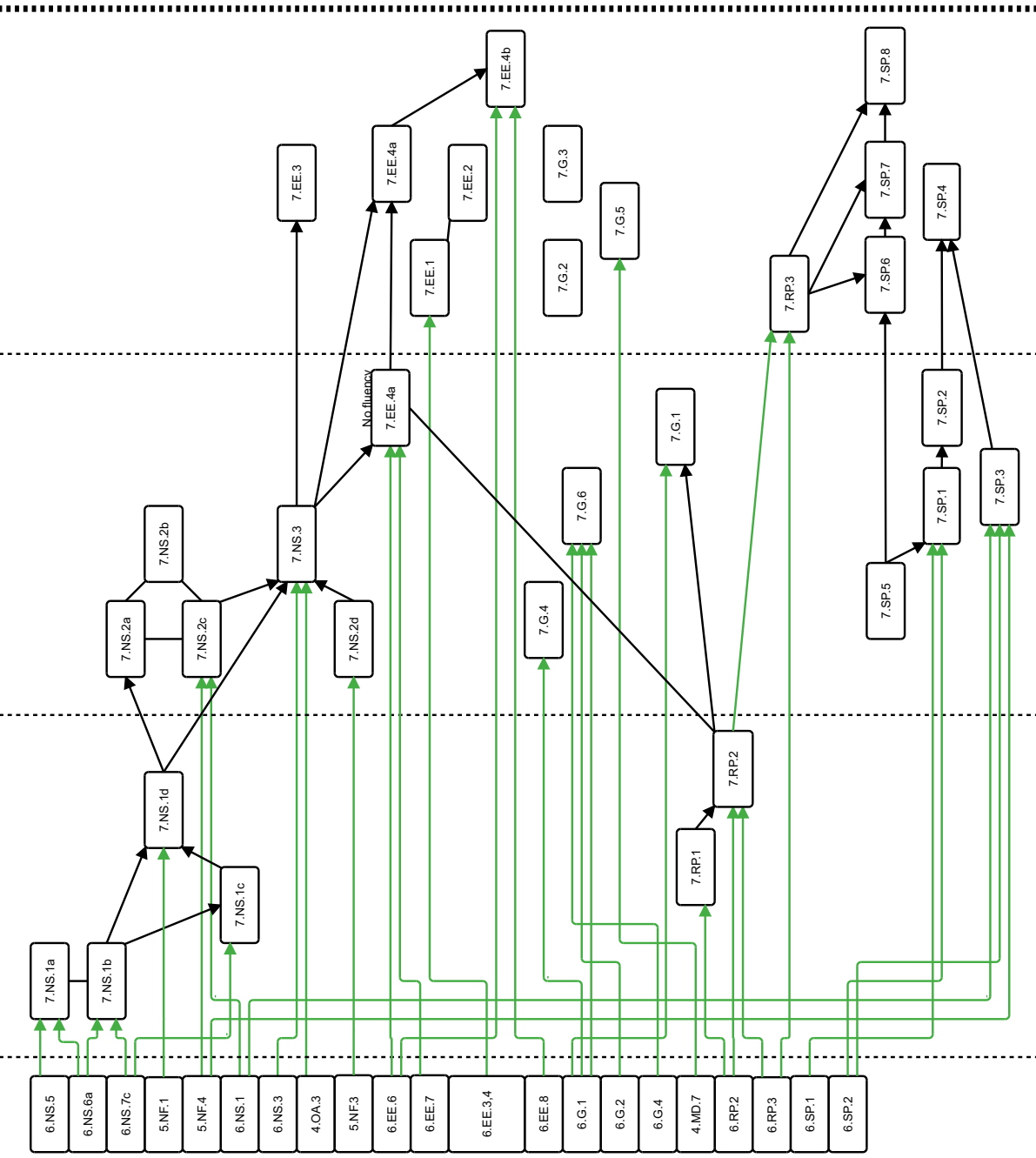
6.C



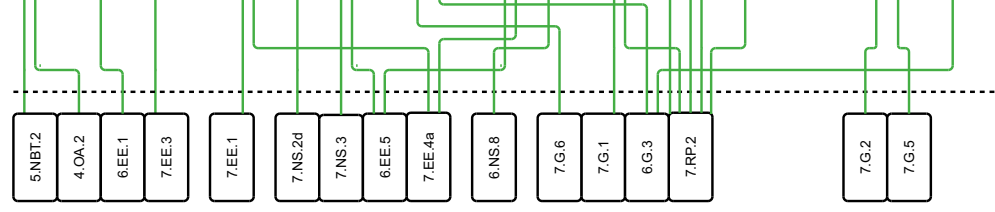
7.A

7.B

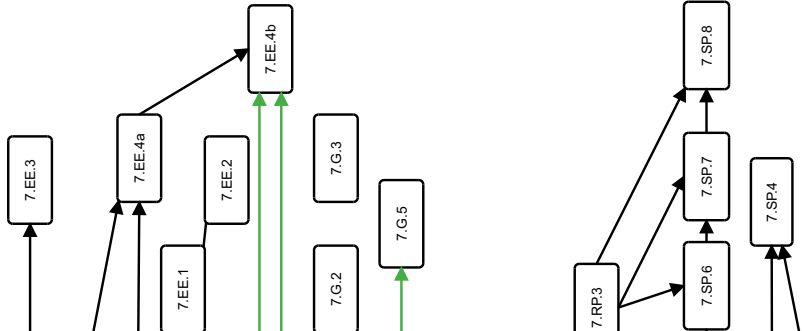
7.C



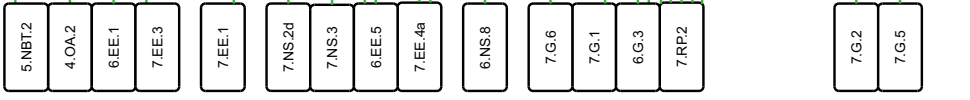
GRADE 7



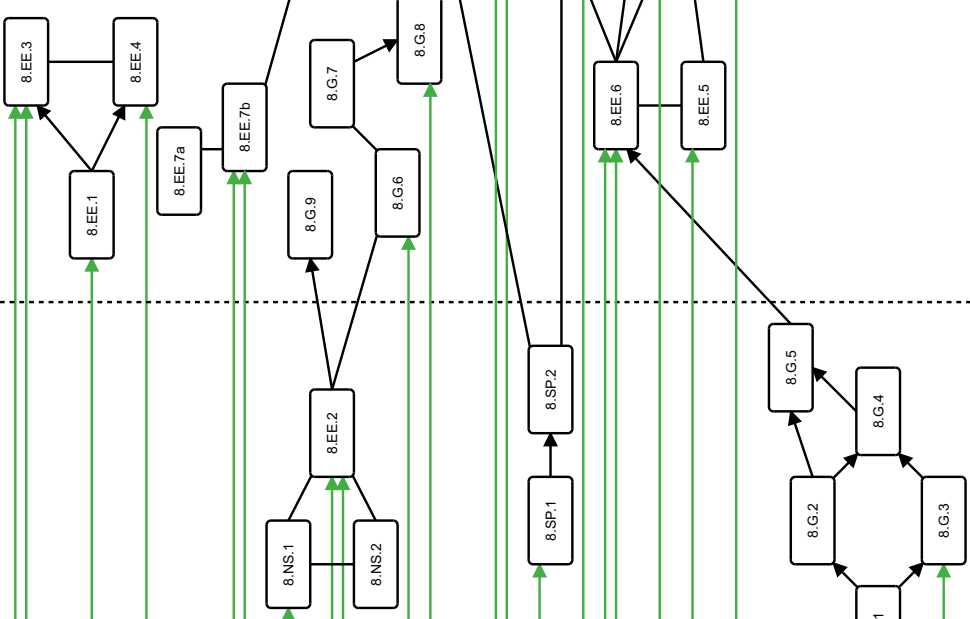
7.C



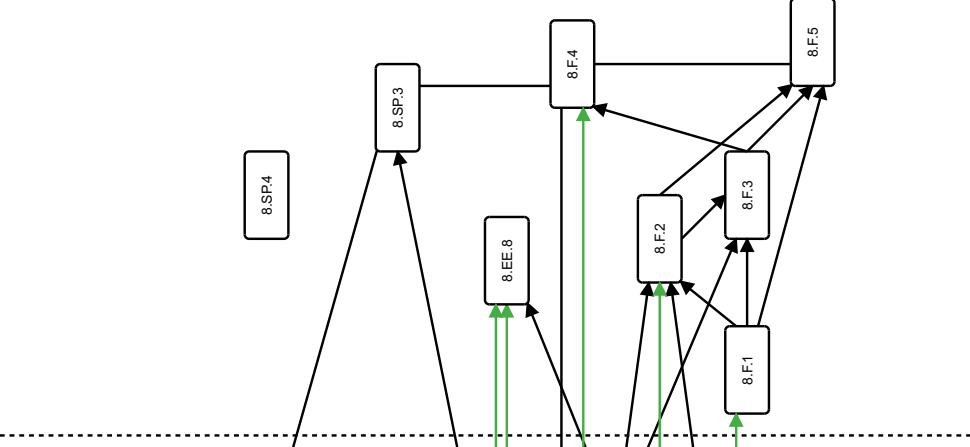
8.A



8.B



8.C



GRADE 8